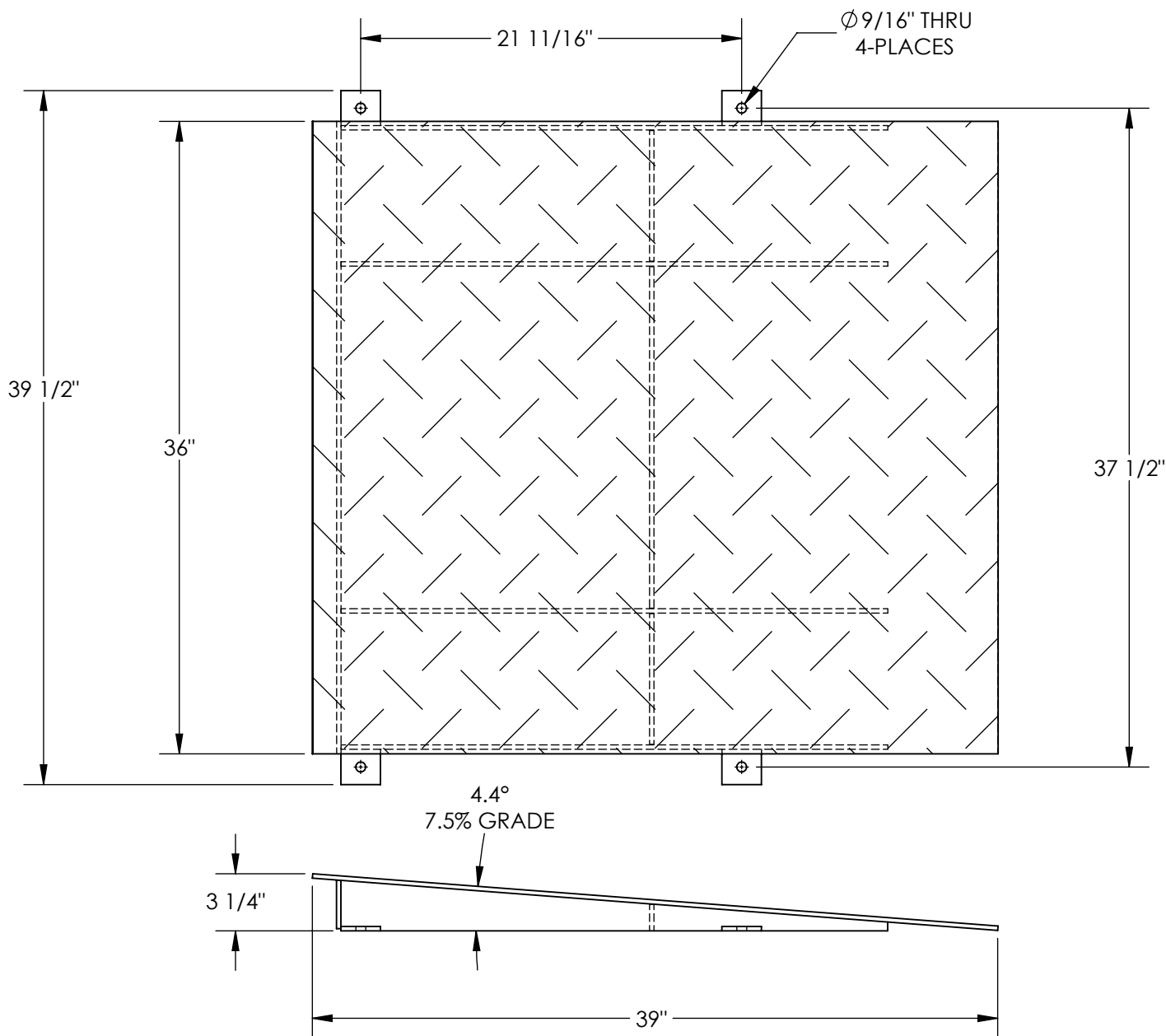


# APPROACH RAMP - ARX-3639-3

APPROX WEIGHT: 125.83 lbs.  
DOES NOT INCLUDE WEIGHT OF POWER OR PACKAGING!!!

\*\*\*ANY ADDITIONS, DELETIONS, OR OMISSIONS MUST BE CORRECTED ON THIS DRAWING AS THIS DRAWING WILL BE CONSIDERED ALL INCLUSIVE\*\*\*



ALL GRAPHICS PROVIDED ARE FOR REFERENCE ONLY. IF CERTAIN DIMENSIONS ARE CRITICAL PLEASE VERIFY THOSE DIMENSIONS WITH YOUR SALESPERSON

## STANDARD FEATURES

DIMENSION TOLERANCE ± 1/4"

- MODEL NUMBER IS ARX-3639-3
- OVERALL WIDTH IS 39 1/2"
- USABLE WIDTH IS 36"
- OVERALL LENGTH IS 39"
- OVERALL HEIGHT IS 3 1/4"
- MAX CAPACITY IS 4,000LBS
- RISE 3 1/4"
- SLOPE 4.4° APPROX. 7.5% GRADE
- DURABLE LIQUID PAINT BLUE FINISH

## SPECIAL FEATURES

NONE

<b>A P P R O V A L</b>	I, THE UNDERSIGNED, AGREE THAT THE PRODUCT AS REPRESENTED SATISFIES DESIGN AND DIMENSION REQUIREMENTS. I ALSO ACKNOWLEDGE MY DUTY TO CONFIRM PRODUCT AND INSTALLATION COMPLIANCE WITH ALL APPLICABLE FEDERAL, STATE AND LOCAL REGULATIONS AND STANDARDS.	
	<b>ANY MODIFIED UNITS ARE NON-RETURNABLE</b>	
	[ ] As drawn [ ] As marked	
	Signed: _____ Date: _____	
Printed Name: _____		
LEAD TIME WILL START UPON RECEIPT OF SIGNED APPROVAL DRAWING		

FOR INTERNAL USE ONLY PROJECT SIGN OFF		DISTRIBUTOR'S NAME:		P.O.#
		VESTIL MANUFACTURING		X
SALES		DRAWN BY: DLS		W.O.#
ENG.		DATE: 11/7/2014		X
FAB.		REFERENCE: X	SCALE: 1:9	SALES: X
POWER		QUOTED LEAD TIME: X	QUOTE # X	FILE NAME:
				27-007-008

IT IS THE END-USER'S RESPONSIBILITY TO DETERMINE IF THE ABOVE RAMP SLOPE WILL FUNCTION WITH THEIR PALLET TRUCK TO LOAD & UNLOAD PRODUCT ONTO THE EHLTX